

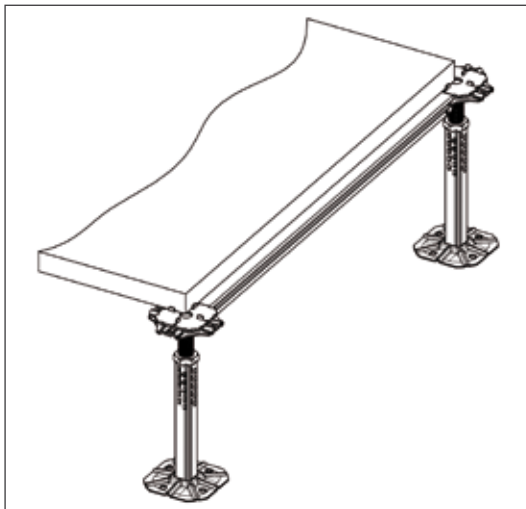
STRINGERS

POWER / STRONG / 4R / 8R



STRINGERS FOR POWER/4R/8R

Reference price list 154 stringers and accessories



CONSTRUCTION MATERIAL AND SIZE

Made of pre-galvanized steel. Available in heights of 15, 18 and 30 mm, width 25 mm and lengths for panels with centre distances ranging from 400 to 650 mm. Centre distance accuracy in terms of length ± 0.1 mm, centre distance adjustment for installation ± 0.5 mm.

FASTENING

Assembly via snap-fit to the pedestal head for quick and easy installation of the stringer, also ensuring stability and strength of the entire structure even after various installations.

Over all available centre distance lengths there are two coupling teeth at the ends.

The ribbing over the entire length, besides ensuring improved rigidity, also allows fastening even if the profile has to be cut.

The provision for fastening also via self-tapping screws (dia. 4.2 x 13 mm) as well as the absence of sharp burrs and the perfect flatness of the profile over all lengths (obtained by calibration) are further advantages offered by this stringer.



SQUARE PIPE (Not usable with 4R head)

CONSTRUCTION MATERIAL AND SIZE

Made from pre-galvanized pipe.

Square section 25x25 mm, length suitable for panels with centre distances of 600 mm and 1200 mm (on request also for centre distances shorter than 600 mm down to 400 mm). Centre distance adjustment for installation ± 0.5 mm.

FASTENING

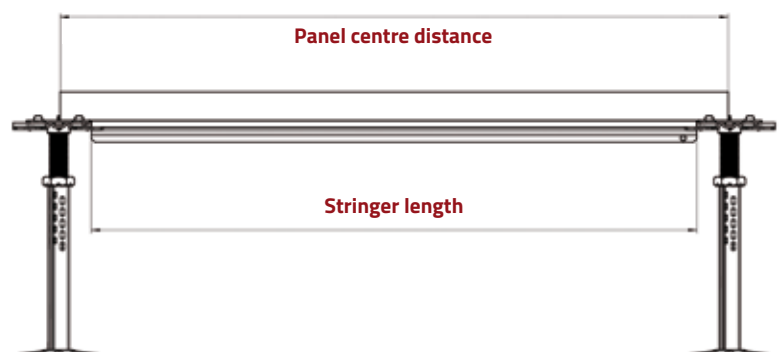
With three-lobe screws M5x10 mm.

Diagonal stringers available on request.

GASKETS FOR STRINGERS

- Non conductive thermoplastic material.
- Extremely easy and quick to fit: just slight hand pressure is required.
- Fastening system on the outer edges also allows assembly when the supplied length has to be cut.
- Lengths: for stringers with centre distances from 590 to 610 mm (on request also available for the other stringer lengths quoted in the catalogue).

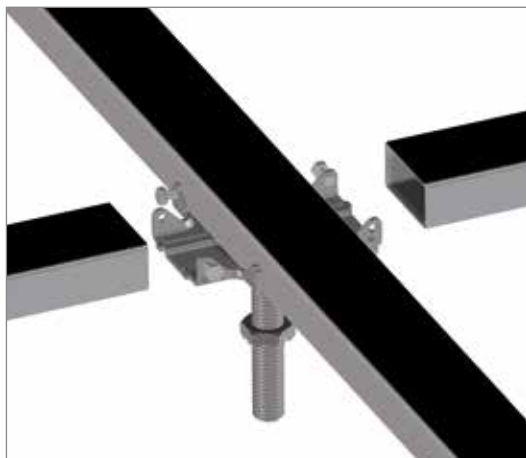
N.B.: Gaskets not applied: supplied in separate package.



Part N°	Height [mm]	Panel centre distance [mm]
154015	15	600
154018	18	600
1540180598	18	598
1540180596	18	596
1540180594	18	594
1540180592	18	592
1540180590	18	590
154030	30	600
1540300598	30	598
1540300596	30	596
1540300594	30	594
1540300592	30	592
1540300590	30	590
Square tubular section		
15302525	25	600
153025251200	25	1200

STRINGERS FOR HEAD STRONG

Reference price list 144 STRONGBASE



CONSTRUCTION MATERIAL AND SIZE

Made from pre-galvanized pipe, section 50x25 mm.

Longitudinal connections: length 1800 mm.

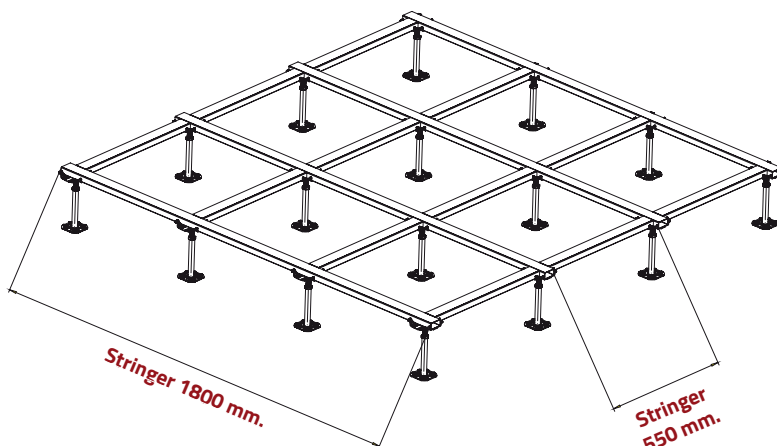
Cross connections: length 550 mm.

FASTENING

Fastening to the pedestal head with three-lobe screws to ensure rigidity of the structure and electrical continuity.

GASKETS

Adhesive bituminous felt (supplied in rolls of 20 m).



Part N°	Height [mm]	Length [mm]	Panel centre distance [mm]
1530500550	25	550	600
1530501800	25	1800	600

Part N°	Description
110103	Roll of bituminous felt (20 m)
153510 TR	Galvanized three-lobe hex head screw dia. 5x10

4 screws already fitted on the pedestal head.